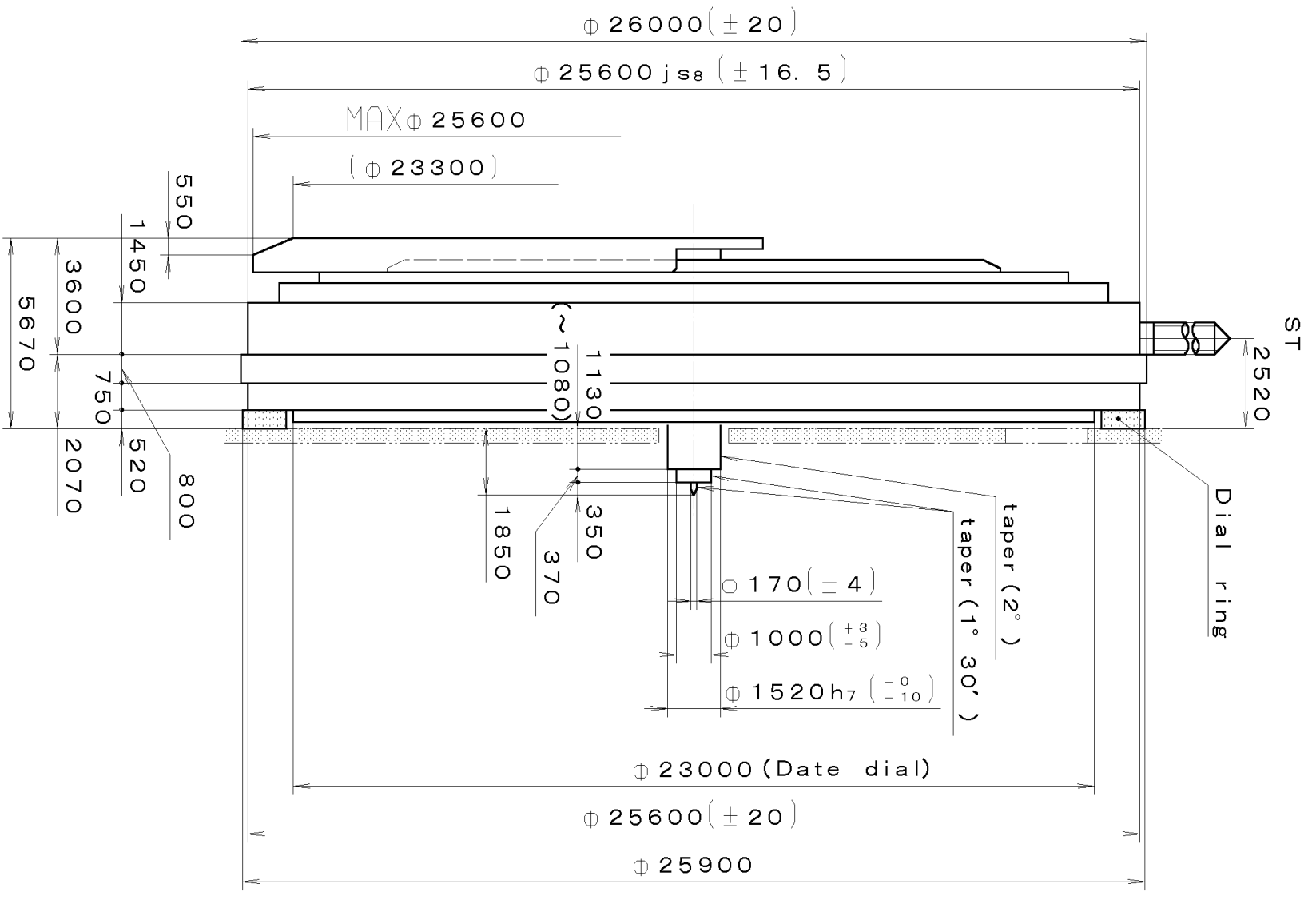
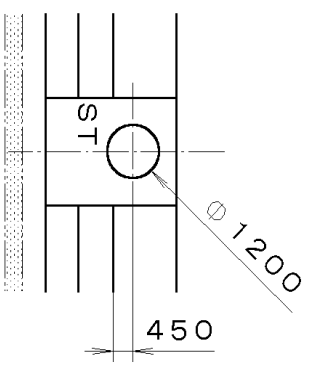
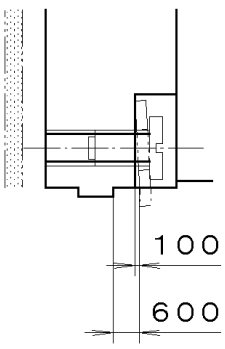
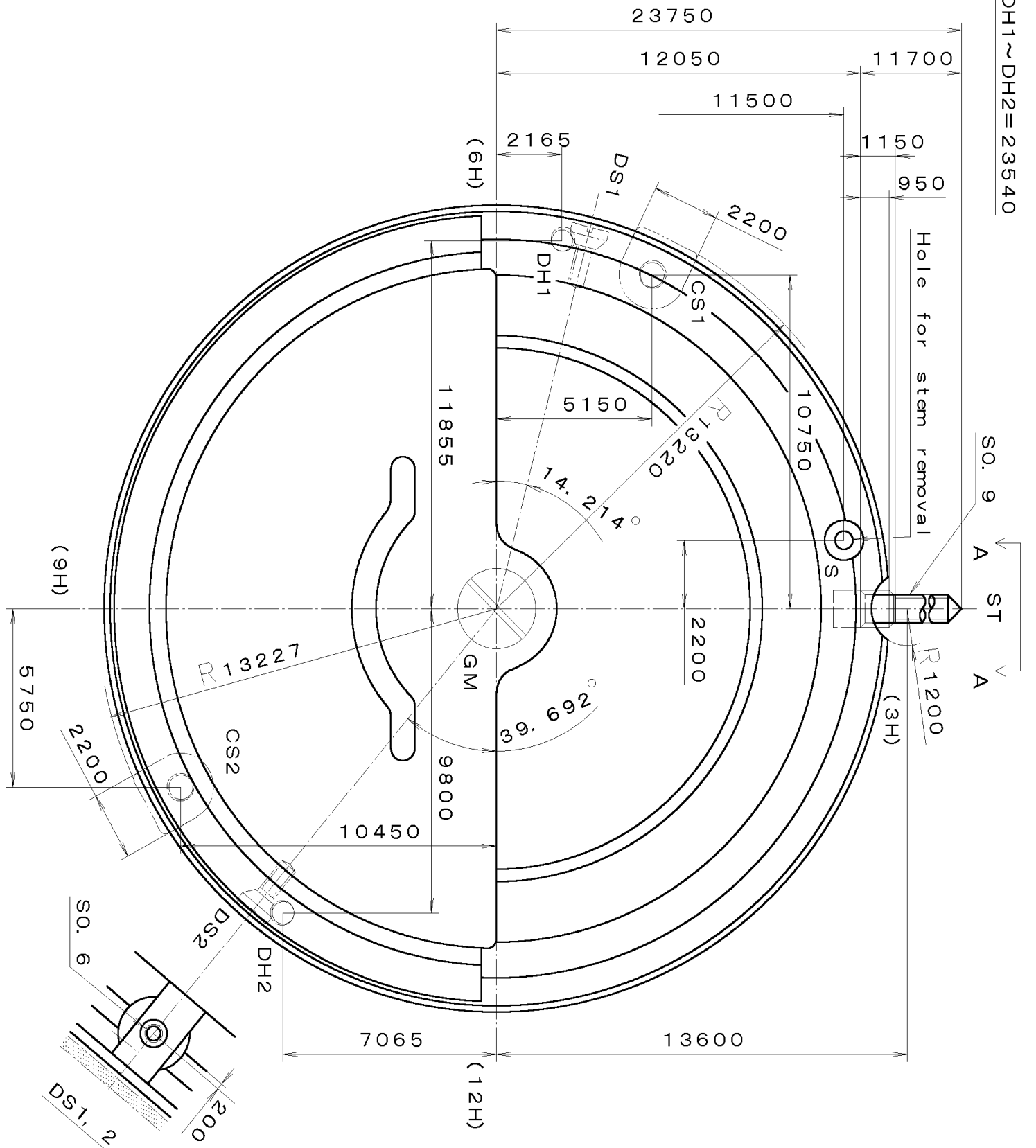


DH1~DH2=23540

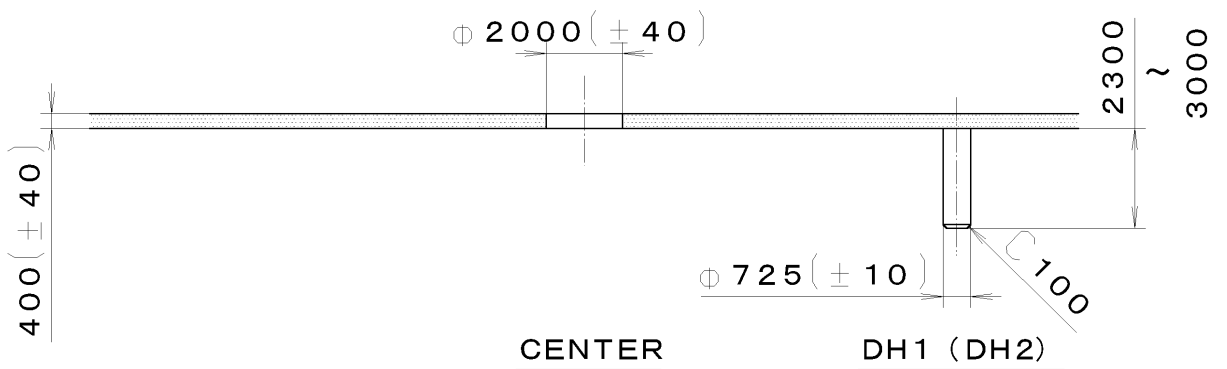
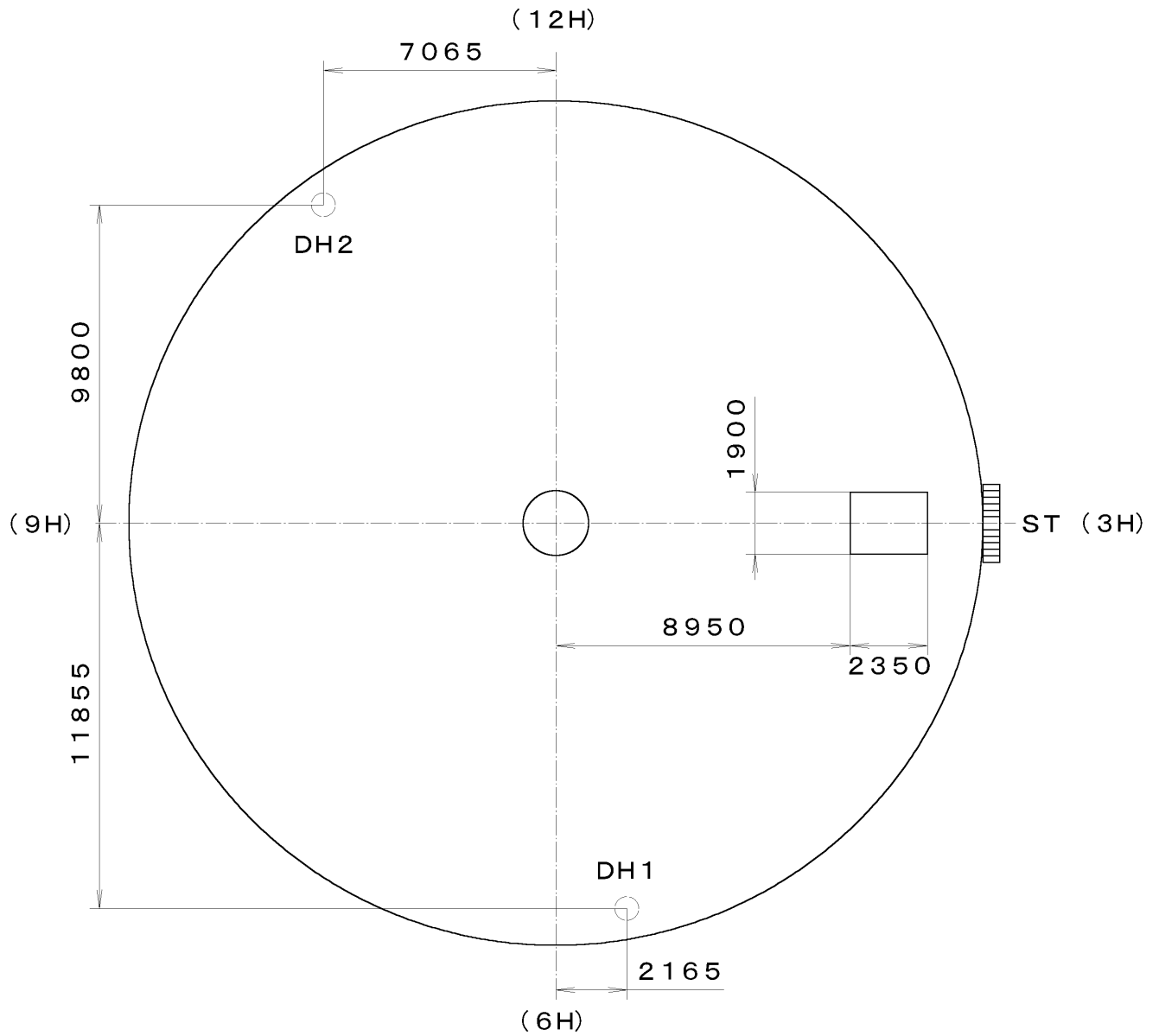


Quantity	Unit	Scale	Date	Checked	Approved	Material	Heat Treatment	Hardness	Plating
	1/1000 mm	6:1		T. Hiruta					
General Tolerances						Dimensions			
Angles									
Name: Frame for Case						Drawing No.: 8215C000			
Quantity						Cal. No.: 8215			
Unit						Parts:			
Scale									
Date									
Drawn									
Checked									
Approved									

MIYOTA

This drawing is provisional and subject to our reconfirmation and/or revision without notice.

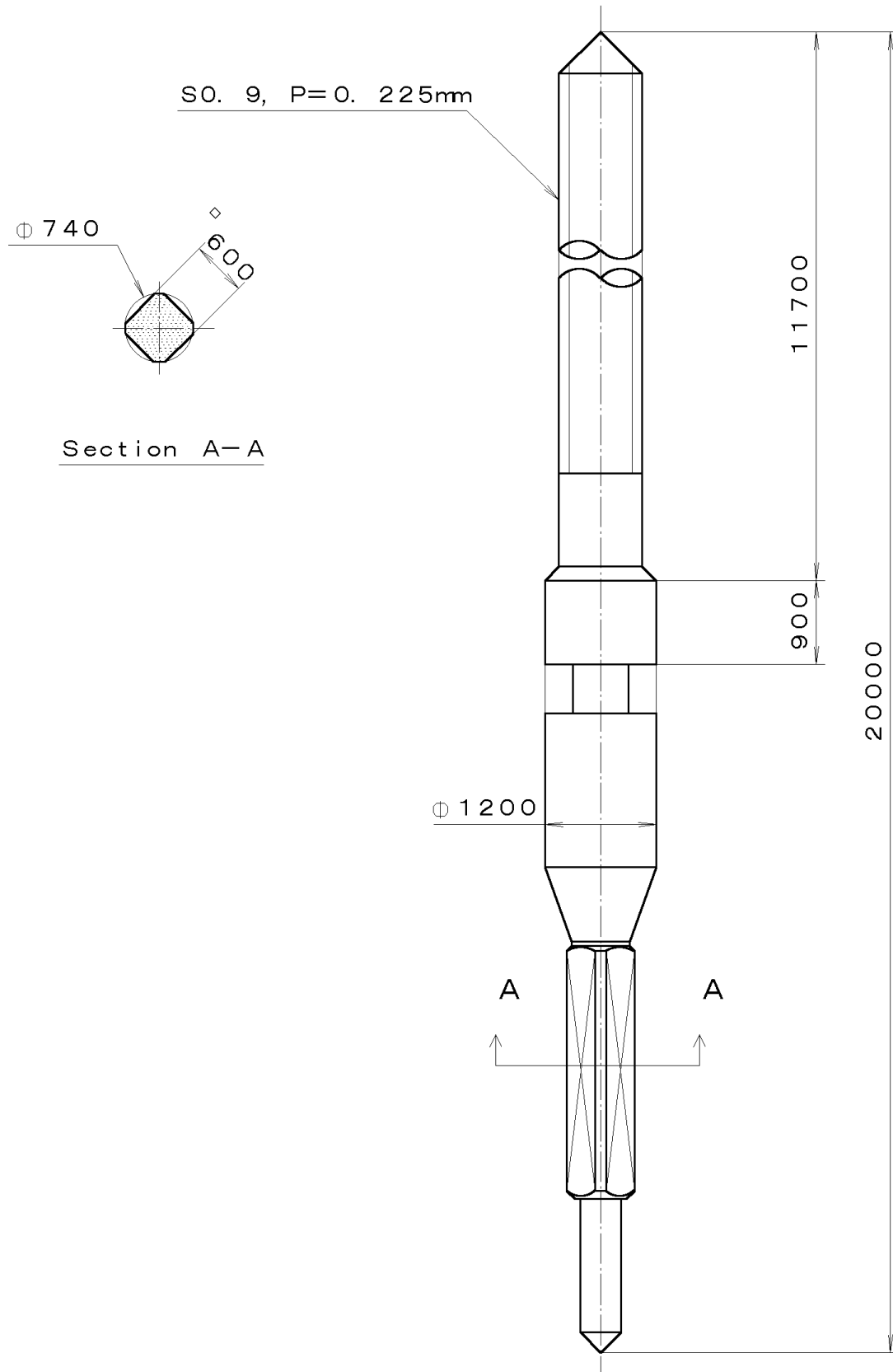
\*\*\* T I P W 8215-21A (01) \*\*\* (2100 1121) 02-03-11



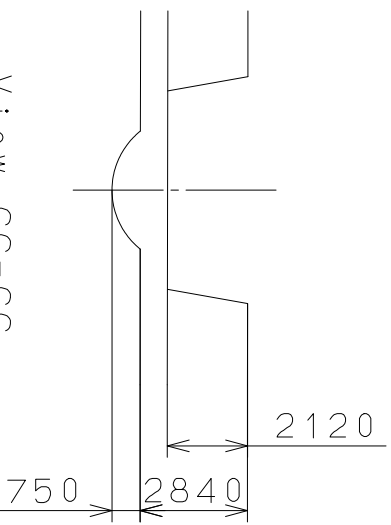
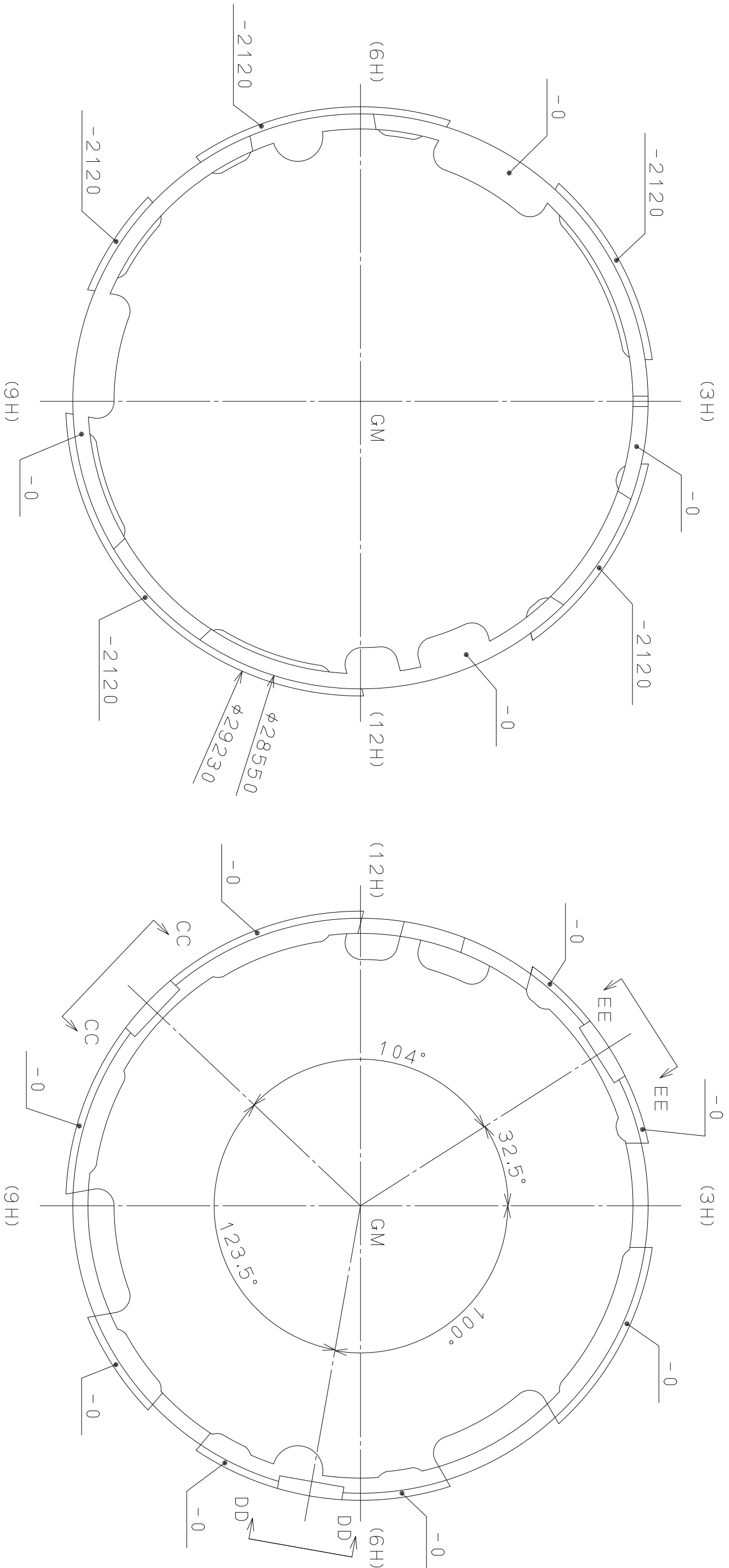
7			Quantity		Cal. No. :	8215-21A
6			Unit	1/1000 mm	Parts:	
5			Scale	5:1	Name:	Indications for Dial
4			Date		Drawing No. :	8215D001
3			Drawn			
2			Checked	T. Hiruta		
1			Approved			
Material						
Heat Treatment			General Tolerances		<b>MIYOTA</b>	
Hardness			Dimensions			
Plating			Angles			

This drawing is provisional and subject to our reconfirmation and/or revision without notice.

\*\*\* T I P W (01) \*\*\* (2100 1121) 00-09-18



7			Quantity		Ca l. No. :
6			Unit	1/1000 mm	
5			Scale	15:1	Parts:
4			Date		065-212
3			Drawn		
2			Checked	T. Hiruta	Name:
1			Approved		SETTING STEM
Material					Drawing No. : 2120S000
Heat Treatment			General Tolerances		<b>MIYOTA</b>
Hardness			Dimensions		
Plating			Angles		



View CC-CC  
DD-DD, EE-EE

△5	Quantity	1/1000 mm	Cal. NO.:
△4	Unit	5 : 1	Parts No.:
△3	Scale	Drawn	500-710
△2	Date	Checked	Name:
△1	Date	Approved	Casings Holder
Mark	Date	Approved	Drawing No.: 8200E002
Alterations	Description	Checked	
Material		Approved	
Heat Treatment			
Hardness			
Plating			
	General Tolerances		
	Dimensions		
	Angles		

**MIYOTA**

CITIZEN WATCH CO., LTD. TOKYO, JAPAN